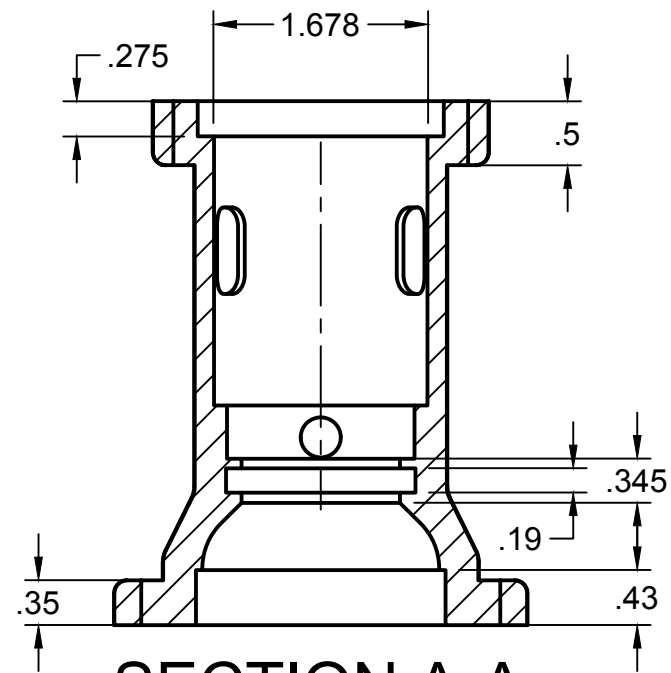
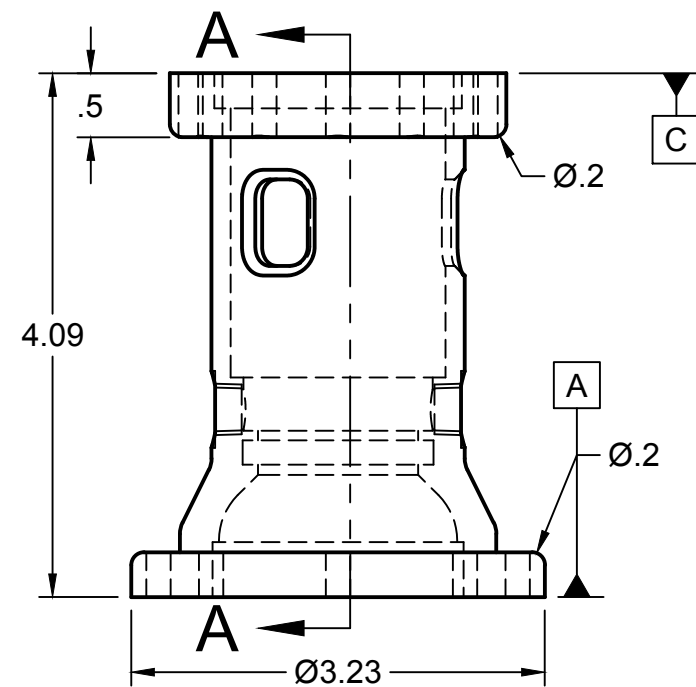
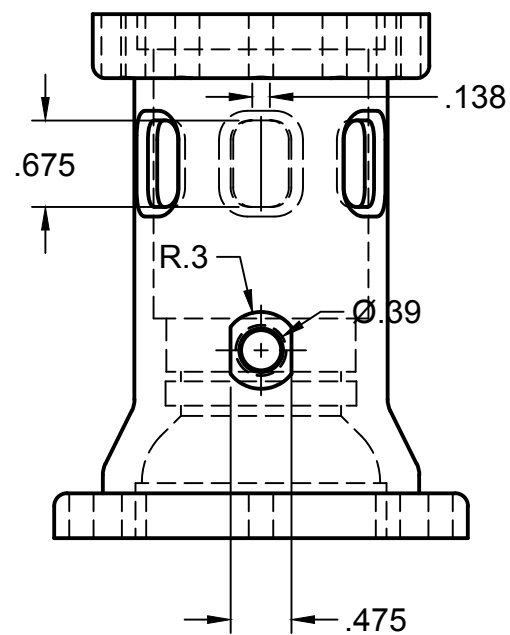
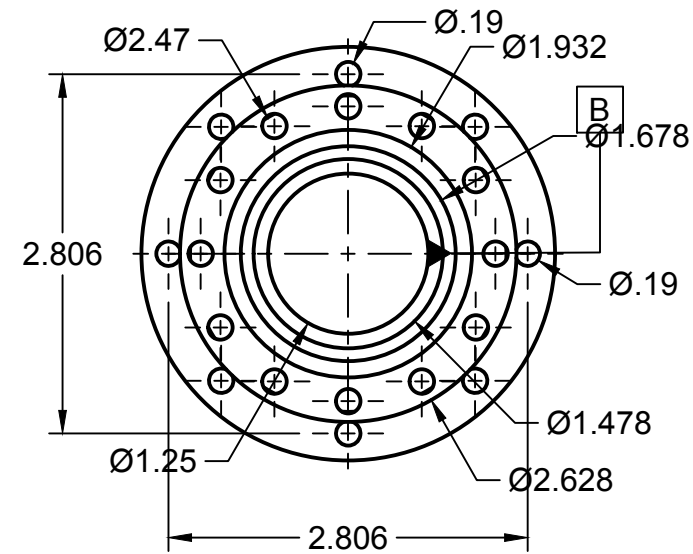
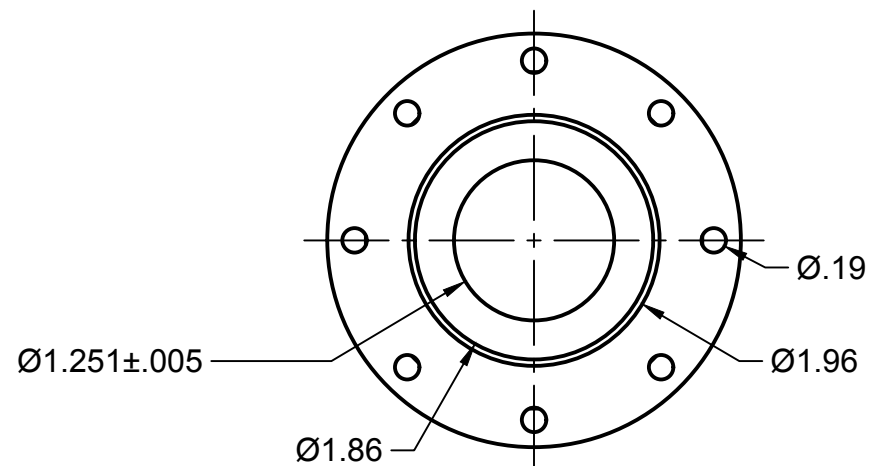


SECTION A-A  
SCALE 1:1

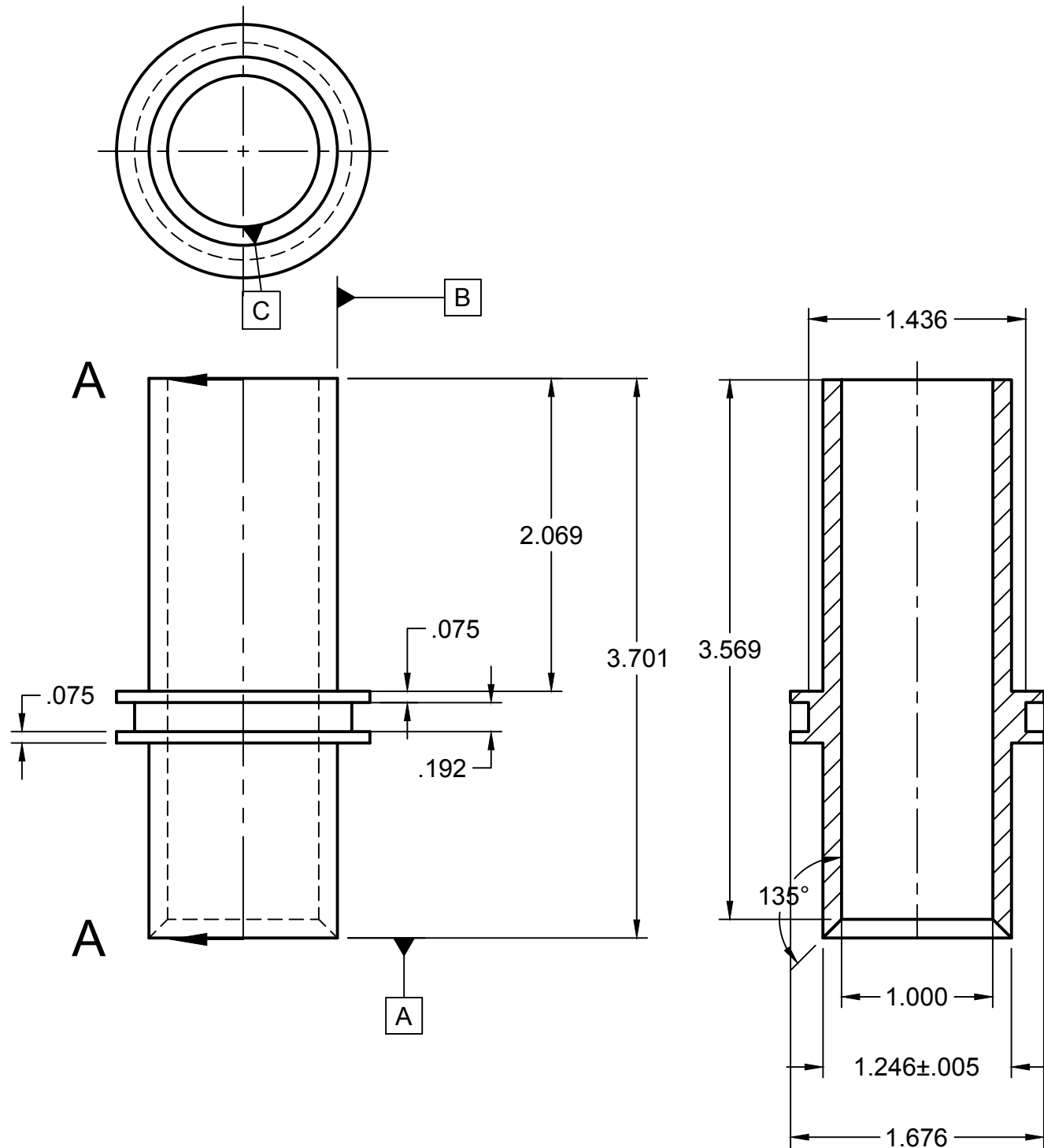
	PROJECT <b>CSI Rocketry 2023-24</b>			
	TITLE <b>Pneumatic Valve</b>			
APPROVED	SIZE	CODE	DWG NO	REV
CHECKED	B			
DRAWN	Aadam Awad	2/15/24	SCALE 1:1	WEIGHT 16.64
				SHEET 1/1



SECTION A-A  
SCALE 1:1.5

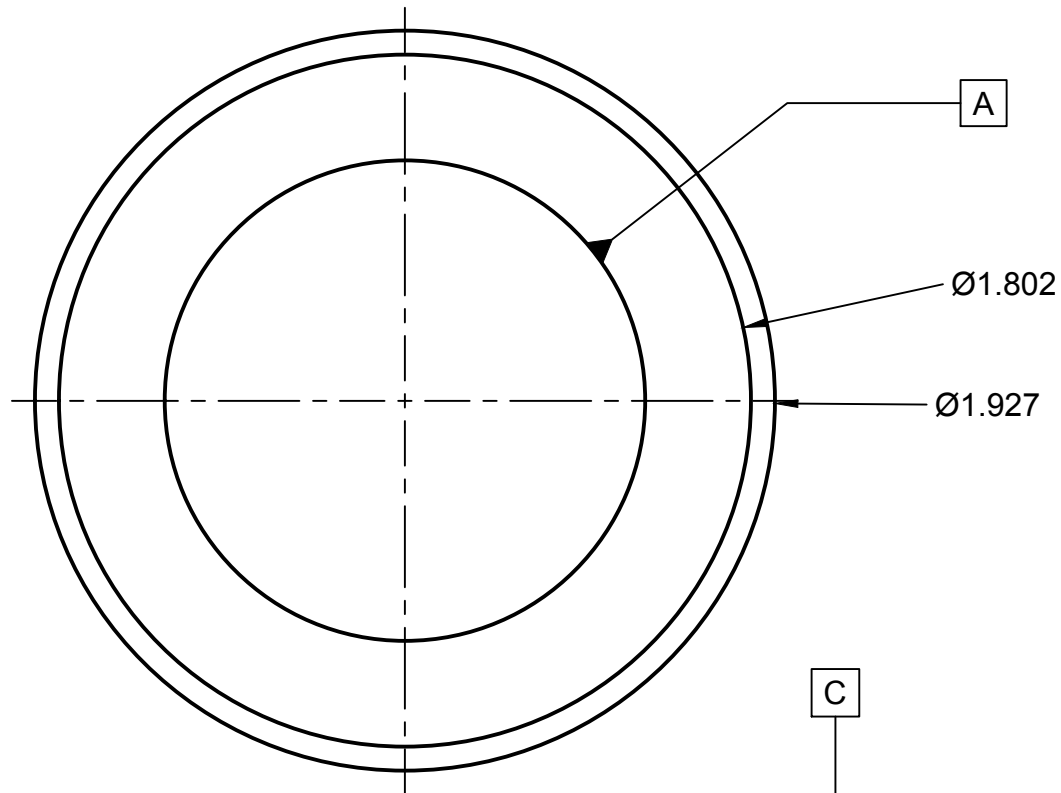


		PROJECT		
		CSI Rocketry 2023-24		
		TITLE		
		Main Body Pneumatic Valve		
APPROVED	SIZE	CODE	DWG NO	REV
CHECKED	B			
DRAWN	Aadam Awad	2/15/24	SCALE 1:2	WEIGHT 10.88 oz
				SHEET 1/2

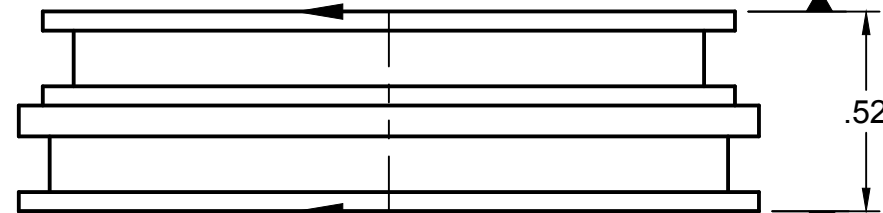


SECTION  
A-A  
SCALE 1:1

		PROJECT		
		CSI Rocketry 2023-24		
		TITLE		
		Piston Pneumatic Valve		
APPROVED	SIZE	CODE	DWG NO	REV
CHECKED	B			
DRAWN	Aadam Awad	2/15/24	SCALE 1:1	WEIGHT 2.93 oz
			SHEET 1/1	

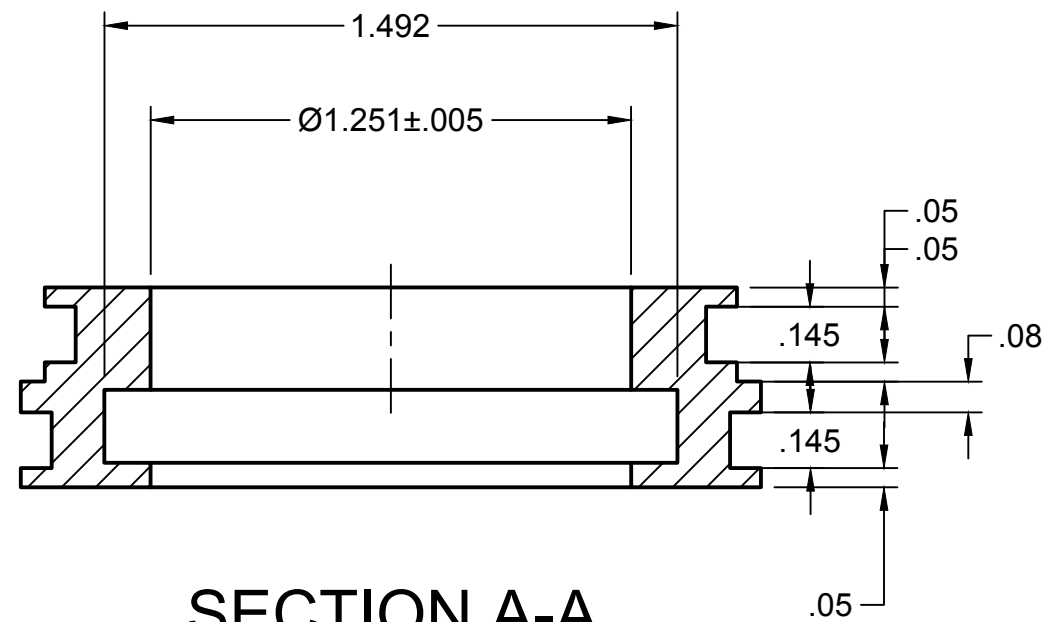


A  
A



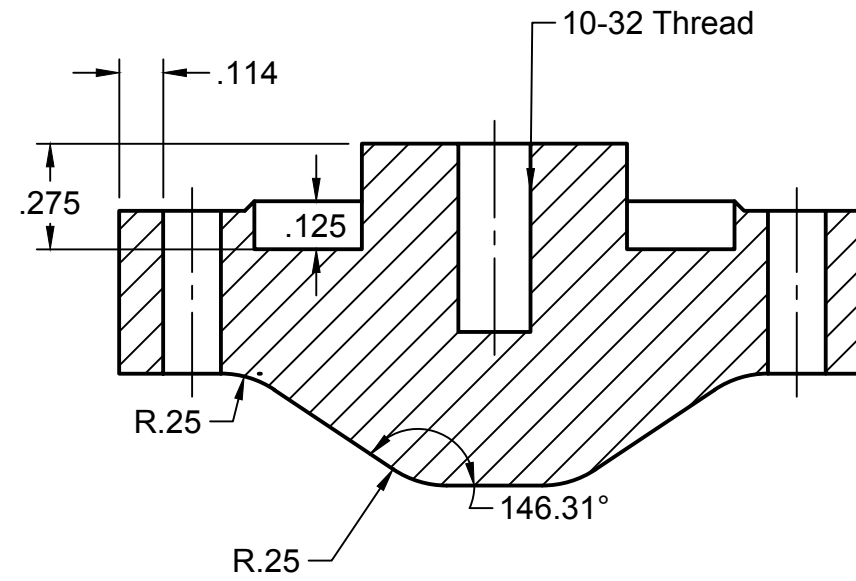
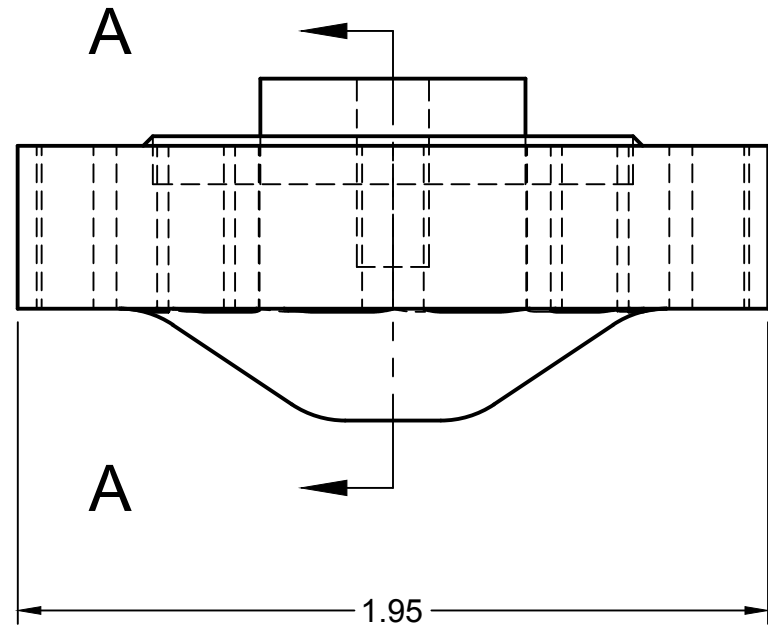
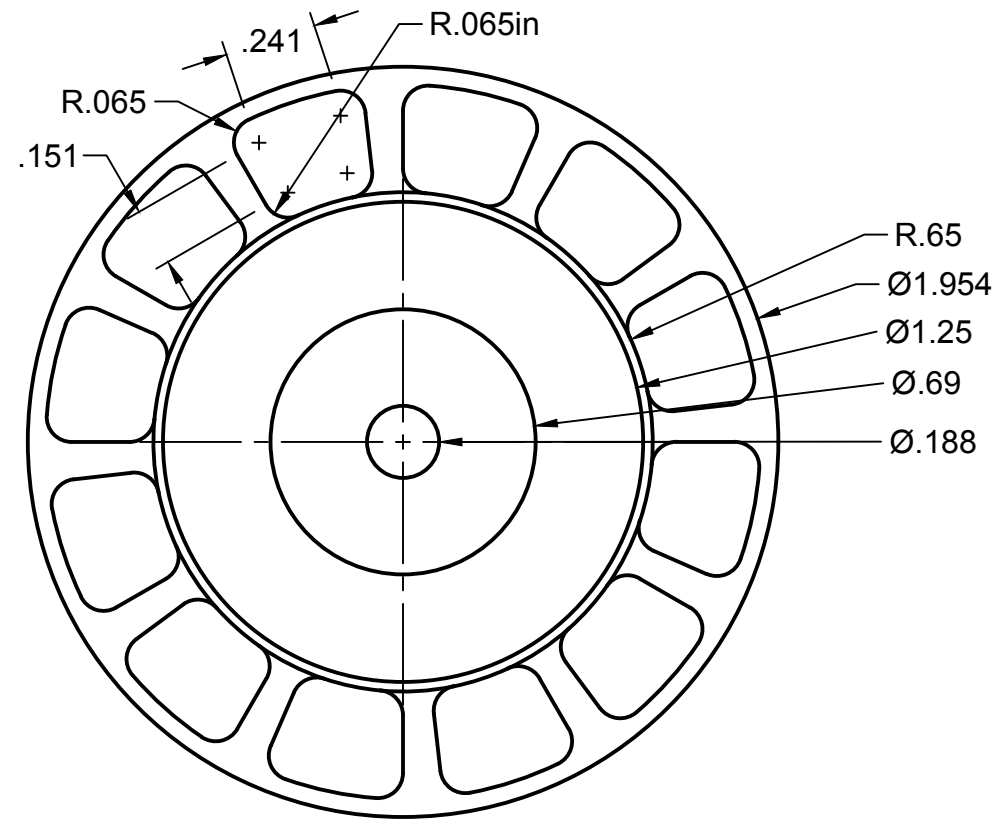
C

B



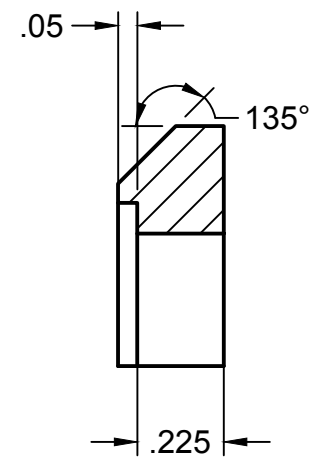
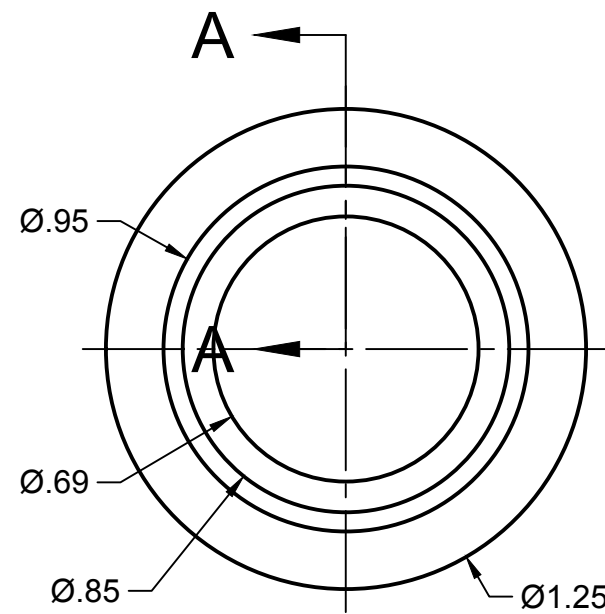
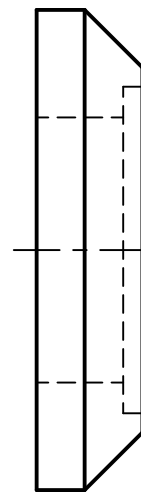
SECTION A-A  
SCALE 2:1

	PROJECT <b>CSI Rocketry 2023-24</b>			
	TITLE <b>Integration Ring Pneumatic Valve</b>			
APPROVED	SIZE	CODE	DWG NO	REV
CHECKED	B			
DRAWN	Aadam Awad	2/15/24	SCALE 1:1	WEIGHT 0.9 oz
				SHEET 1/1



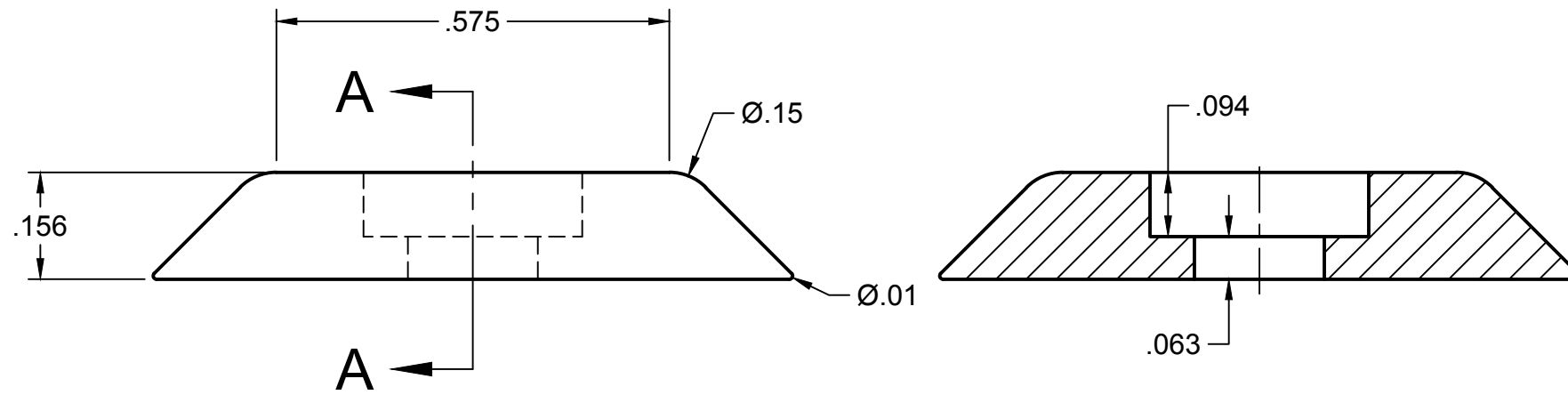
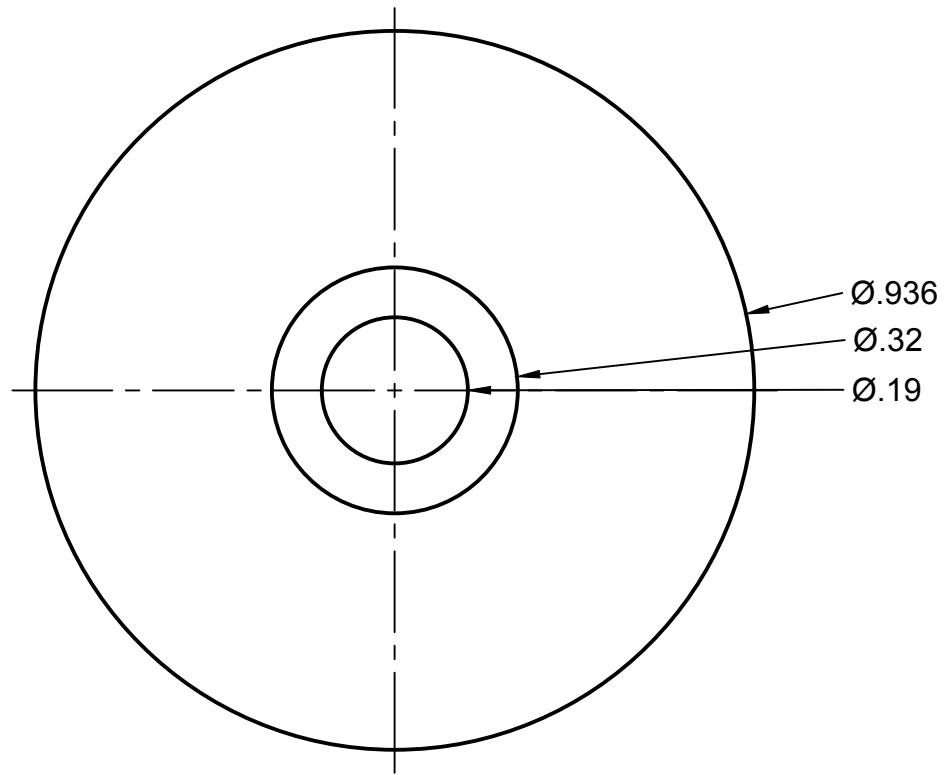
**SECTION A-A  
SCALE 2:1**

		PROJECT		
		CSI Rocketry 2023-24		
		TITLE		
		Seal Seat Pneumatic Valve		
APPROVED	SIZE	CODE	DWG NO	REV
CHECKED	B			
DRAWN	Adam Awad	2/15/24	SCALE 2:1	WEIGHT 1.58 oz
			SHEET 1/1	



**SECTION A-A**  
**SCALE 2:1**

		PROJECT		
		CSI Rocketry 2023-24		
		TITLE		
		PTFE Seat Pneumatic Valve		
APPROVED	SIZE	CODE	DWG NO	REV
CHECKED	B			
DRAWN	Aadam Awad	2/15/24	SCALE 2:1	WEIGHT 0.2 oz
			SHEET 1/1	



SECTION A-A  
SCALE 4:1

		PROJECT		
		CSI Rocketry 2023-24		
		TITLE		
		Seat Retainer Pneumatic Valve		
APPROVED	SIZE	CODE	DWG NO	REV
CHECKED	B			
DRAWN	Aadam Awad	2/15/24	SCALE 2:1	WEIGHT 0.11 oz
				SHEET 1/1